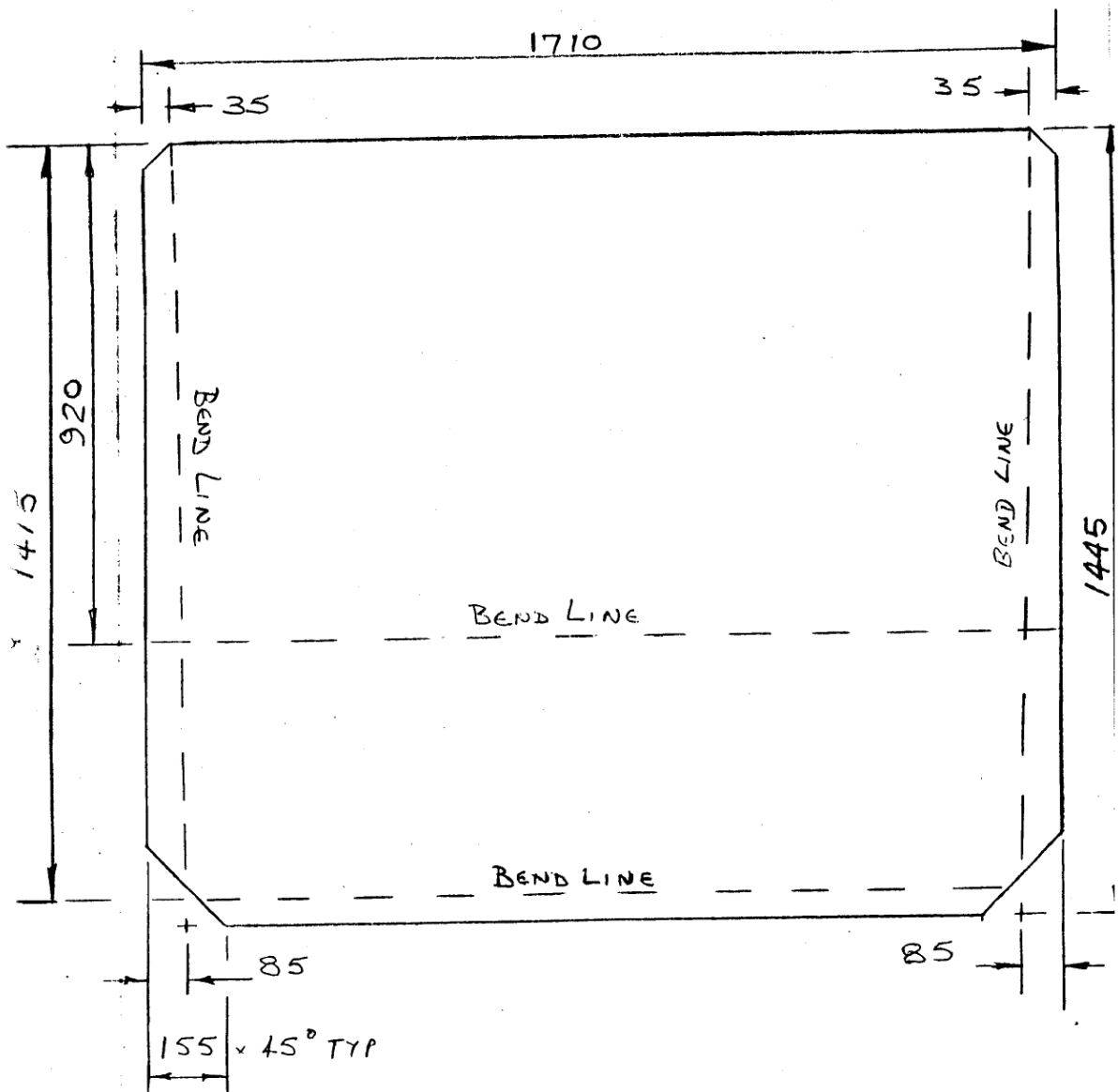


Floor = 1855 x 1625
 Back = 1725 x 1450
 Front = 1850 x 1725

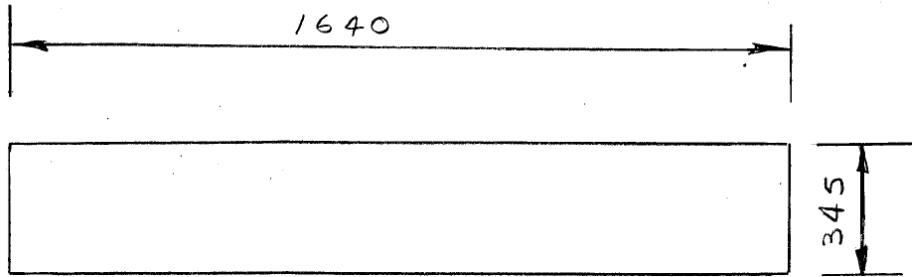
5.5 M³ REFUTAINER

MATERIAL : 4.5 M.S. RT
WELDING : SPACED FOR
STANDARD. FULL FOR
HEAVY DUTY
FOLDED CORNERS & EDGES
PRIME PAINT THROUGHOUT
FINISH PAINT OUTER SURFACES
ONLY

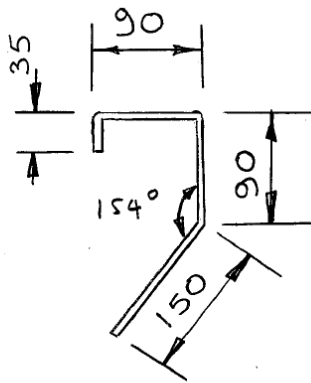


5.5m³ BACK PLATE

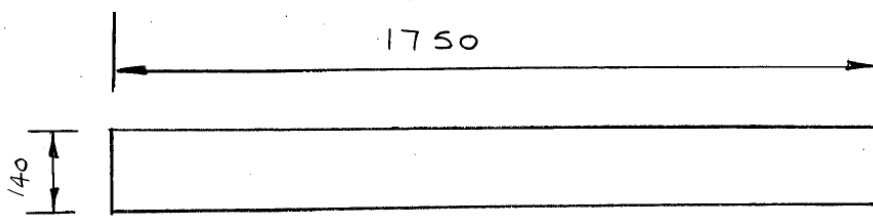
STANDARD SIZE.



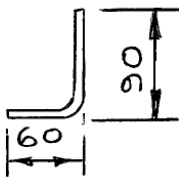
CUTTING SIZES



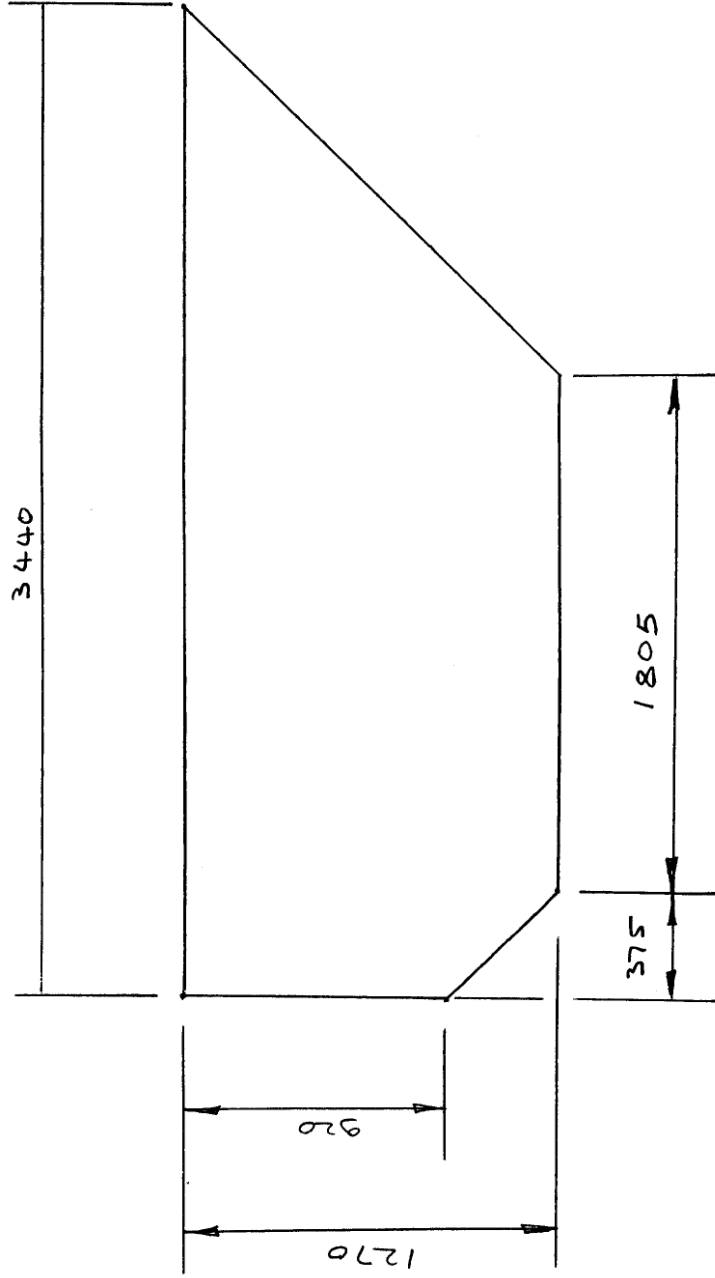
BENDING SIZES



CUTTING SIZES



BENDING SIZES



5.5m³ STANDARD REFRAINER
SIDE PLATE.

TROLLEY & BIN (PT) LID

